



2022

SPECIFICATION

PRIMO F HIGH BAY LIGHT



100,000 hours

ENGINEERING QUALITY UFO

EXTERNAL DESIGN FEATURES

CITILux

PRIMO F High bay is upgraded & unique design with more cost saving solution, ranges from 100W to 300W, new outlook with excellent system efficiency up to 170lm/w.

Super energy saving. 150W can replace 400W HID. Pluggable motion sensor design and more optional installation type can meet your different needs.



Parameters

Electric Data

Model	PRIMO F 100	PRIMO F 150	PRIMO F 200	PRIMO F 240	PRIMO F 300
Power	100W	150W	200W	240W	300W
Power Efficiency	91%				
Input Voltage	AC 100-277V 50/60Hz				

Photometric Specifications

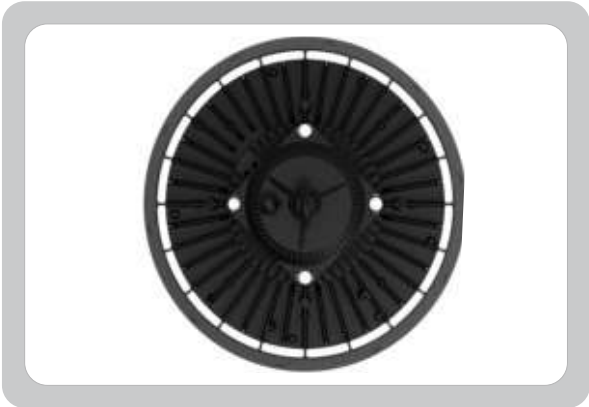
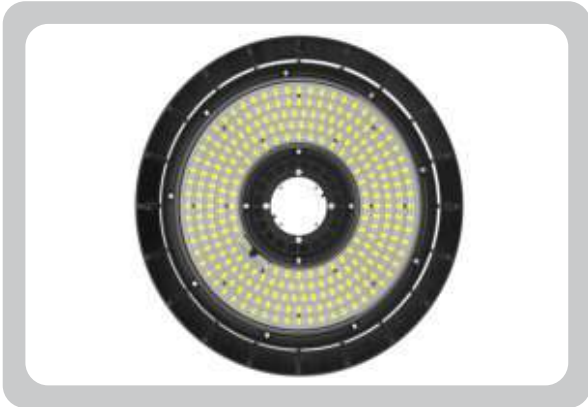
LEDs	2835				
CRI	> 70(>80,>90 optional)				
Luminous Efficiency	150lm/w				
Luminous Flux(±5%)	15000lm	22500lm	30000lm	36000lm	45000lm
CCT	3000K/4000K/5700K/6500K				
Beam Angle	60°/90°/120°				

Mechanical Specifications

IP Rate	IP65				
Working Environment	-40 °C~50 °C, 20%~90% RH				
Storage Temperature	-45 °C~55 °C, 10%~90% RH				
Body Material	Aluminum				
Lens Material	PC				
Dimmable	0-10V/PWM/Microwave Motion Sensor				
N.W.(KG)	3.1	3.8	3.8	5.8	5.8
Lamp Size(mm)	Ø320x188	Ø320x188	Ø320x188	Ø360x188	Ø360x188
Lifespan	>50,000 Hours (Ta=30°C@L70)				



External Design Features

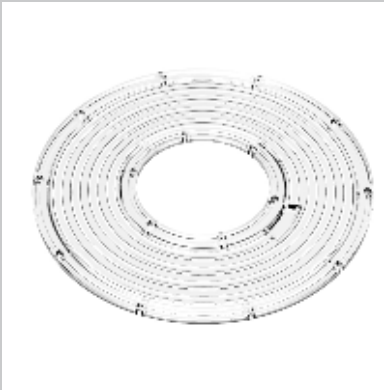


Product Details



Housing

Aluminum-alloy design,
Anti-glare structure design



Lens

Accurate engineered lens made of
optical grade polycarbonate, light
transmittance >98%.



PluggableSensorDevice

Replaceable sensor accessories
upon different needs.



Bracket

Multiple brackets improving installation
time.



SafetyRope

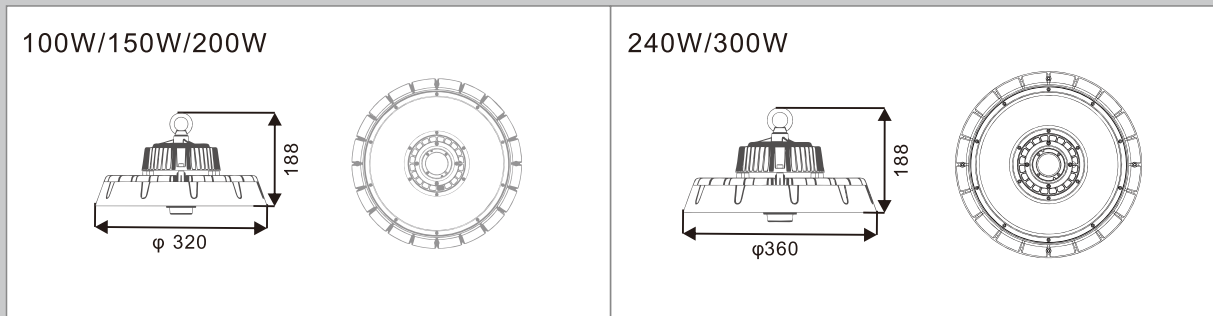
The steel safety rope offer double
protection.



SmartDimmingSystem

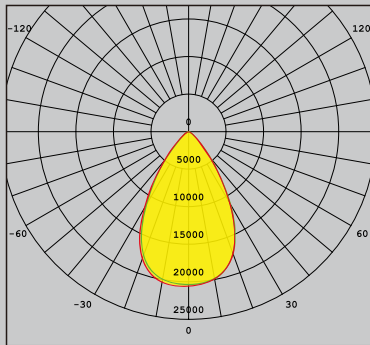
0-10V, PWM, DALI dimming available,
pluggable device make dimming
needs easier.

Dimension(mm)



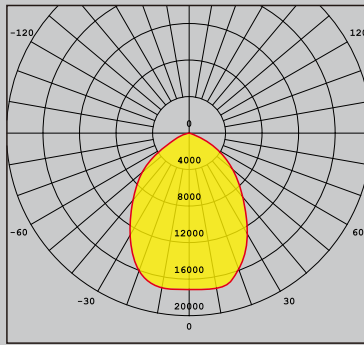
Distribution Curve

60°



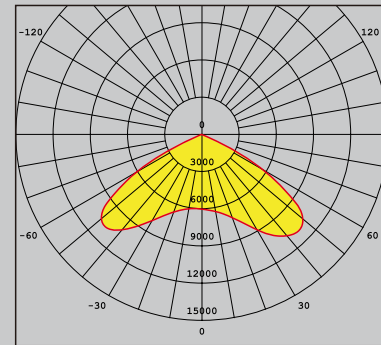
AVERAGE BEAM ANGLE(50%):62.7 DEG
UNIT:cd — V 0.0DEG PLAN,62.8 — H 0.0DEG PLAN,62.5

90°






AVERAGE BEAM ANGLE(50%):84.0 DEG
UNIT:cd — V 0.0DEG PLAN,84.5 — H 0.0DEG PLAN,83.4





120°



AVERAGE BEAM ANGLE(50%):127.5 DEG
UNIT:cd — V 0.0DEG PLAN,127.5 — H 0.0DEG PLAN,127.6

Optional Parts

RC100	Sensor Base	Motion/PIR Sensor(12V)	Safety Rope	10KV SPD
				

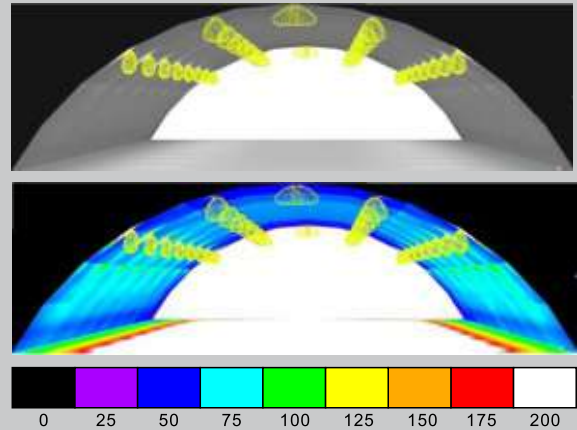
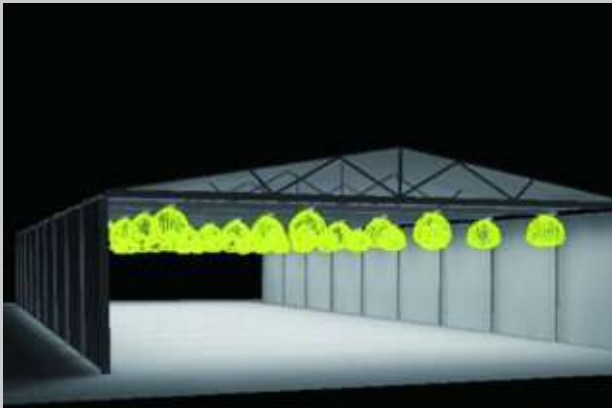
DIP Switch 4000K/5000K	Bracket	3/4 NPT	PC Reflector
			

Dialux

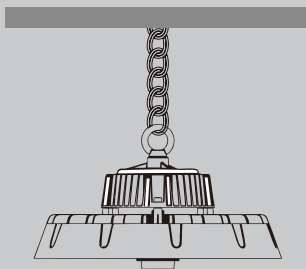
Q.I have a warehouse/workshop ,what's your suggestion?

A: Please give me the below information:

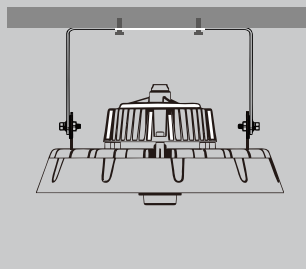
1. The dimension of the warehouse/workshop.
2. The installation height.
3. The requirement of the illumination.



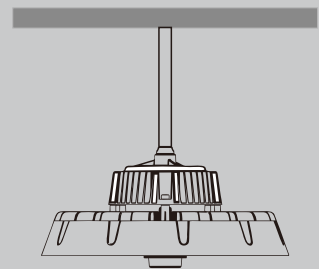
Installation



Hook



Wall



Piping